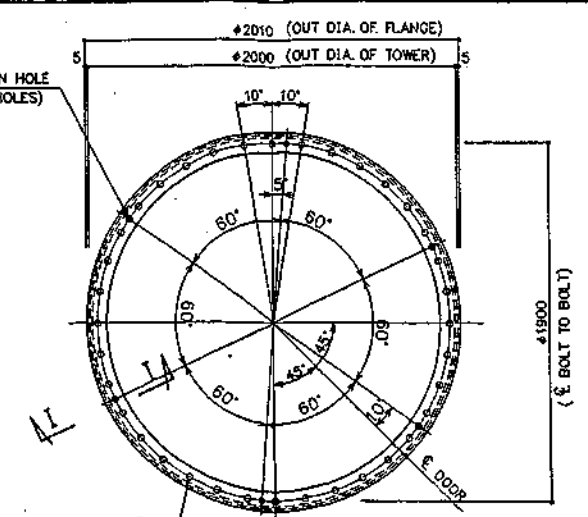
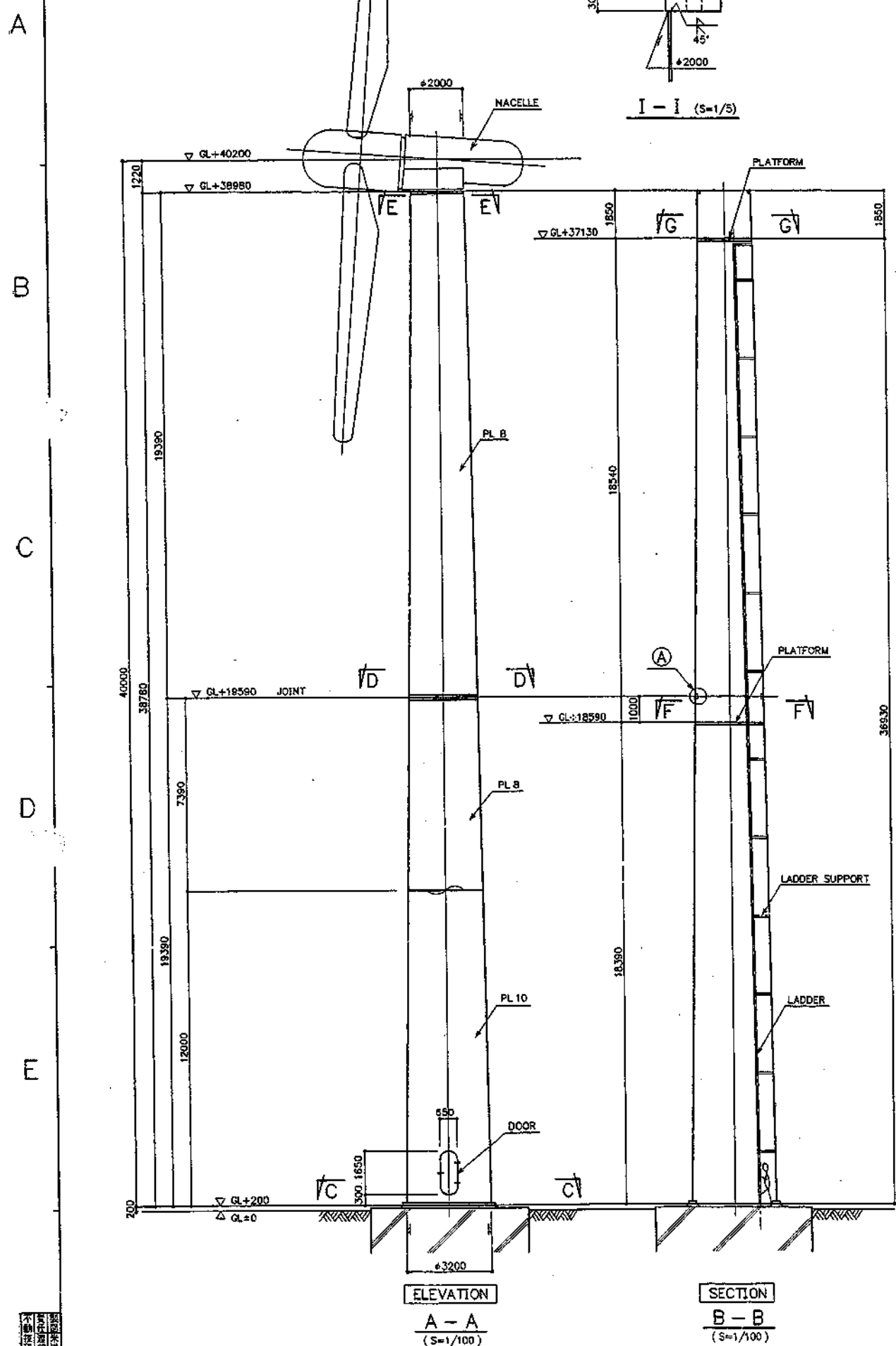
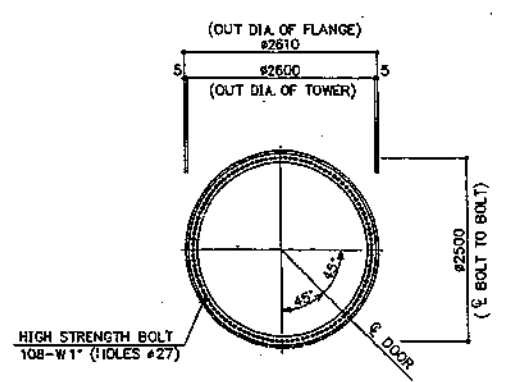


REVISIONS		NO.	DESCRIPTION	DATE	ZONE	NO. PROVIDED	DESK
PLAN RECORD							
ISO METRIC SCREW THREADS							
PREVIOUS DRAWING NO.							

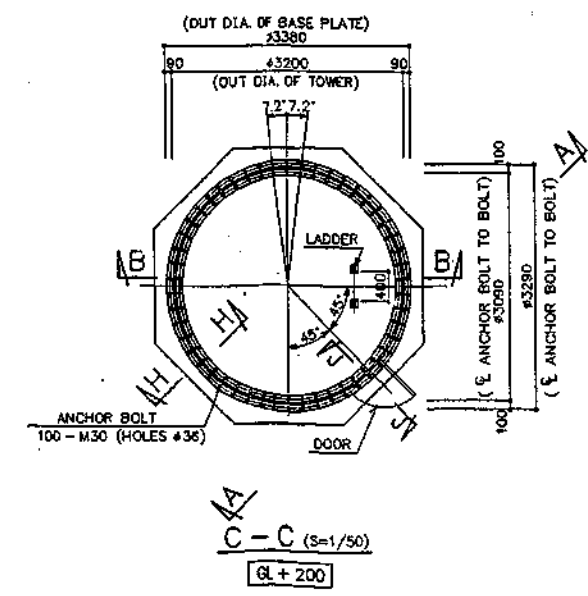
NOTES	
1. MATERIAL	TOWER ASTM A36
	H. S. BOLT ASTM A325
	ANCHOR BOLT ASTM A490



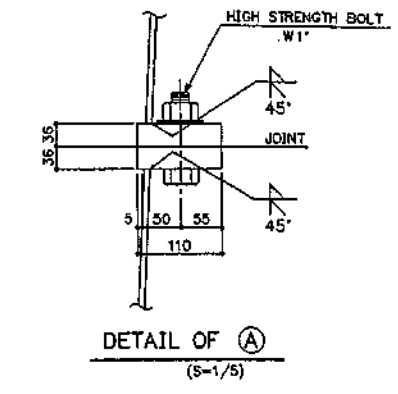
I - I (S=1/5)
GL + 38980



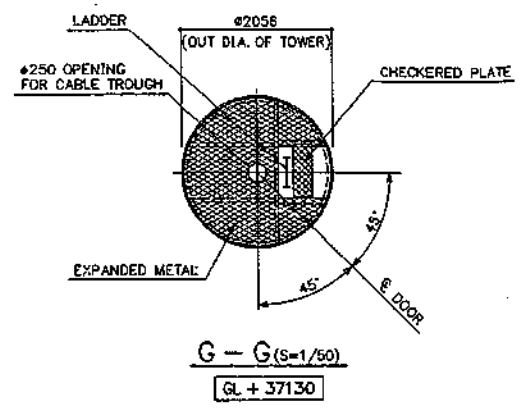
E - E (S=1/20)
GL + 19590



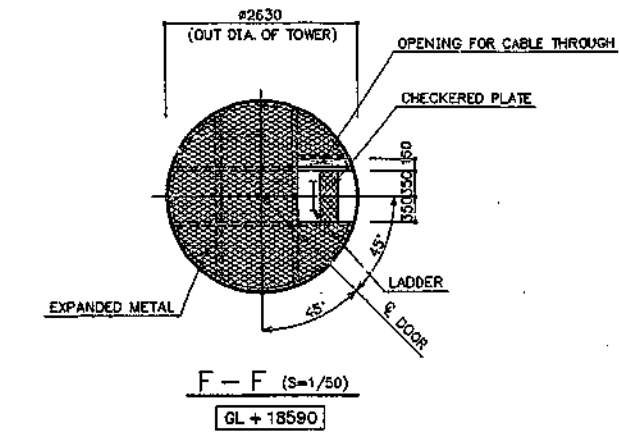
C - C (S=1/50)
GL + 200



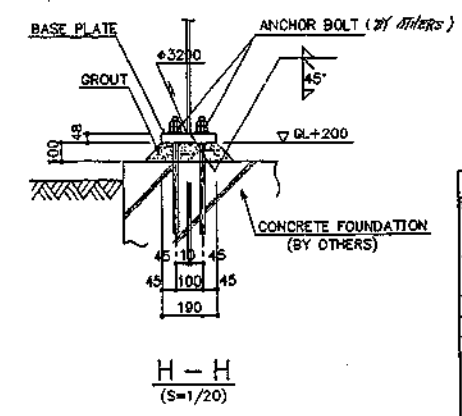
DETAIL OF A (S=1/5)



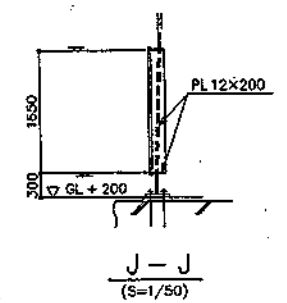
G - G (S=1/50)
GL + 37130



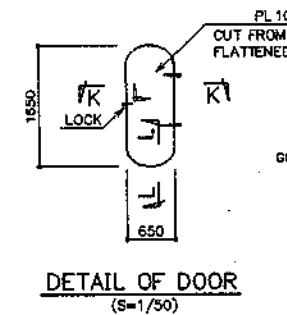
F - F (S=1/50)
GL + 18590



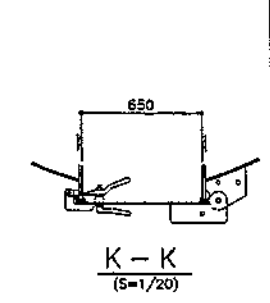
H - H (S=1/20)



J - J (S=1/50)



K - K (S=1/20)



L - L (S=1/10)

FOR FABRICATION

HYD. TEST PRESS.	CIVIL ENGINEERING SECT.	Villa do Bispo Project / Portugal
AT SITE	POWER PLANT CONSTN. DEPT.	MWT-450 / (500)
CONFORMED	GENERAL PLAN OF TUBULAR TOWER	(2 SEGMENTS TOWER)
SCALE 1/100, 1/50, 1/20	04073	71260-0052
MITSUBISHI HEAVY INDUSTRIES, LTD.		
NAGASAKI SHIPYARD & MACHINERY WORKS		

DRAWING NO. 71260-0052
 RY1
 01
 02
 03
 04
 05
 06
 07
 08
 09
 10
 11
 12
 13
 14
 15
 16
 17
 18
 19
 20
 21
 22
 23
 24
 25
 26
 27
 28
 29
 30
 31
 32
 33
 34
 35
 36
 37
 38
 39
 40
 41
 42
 43
 44
 45
 46
 47
 48
 49
 50
 51
 52
 53
 54
 55
 56
 57
 58
 59
 60
 61
 62
 63
 64
 65
 66
 67
 68
 69
 70
 71
 72
 73
 74
 75
 76
 77
 78
 79
 80
 81
 82
 83
 84
 85
 86
 87
 88
 89
 90
 91
 92
 93
 94
 95
 96
 97
 98
 99
 100